



**PRO AS 180**

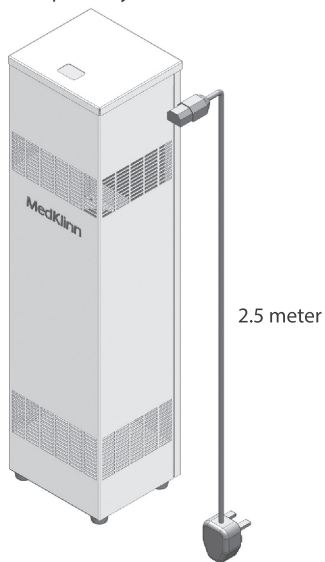
**USER MANUAL**

## TABLE OF CONTENT

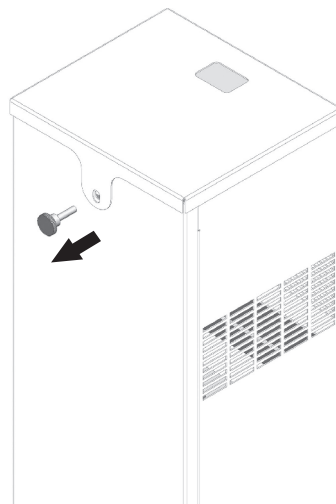
1. Installation Instruction	-----
2. Installation on the Wall	-----
3. For Standalone unit on the floor	-----
4. To select various mode	-----
5. To service unit	-----

# INSTALLATION INSTRUCTION

**PRO AS180** comes with a power cord cable  
(packed separately).

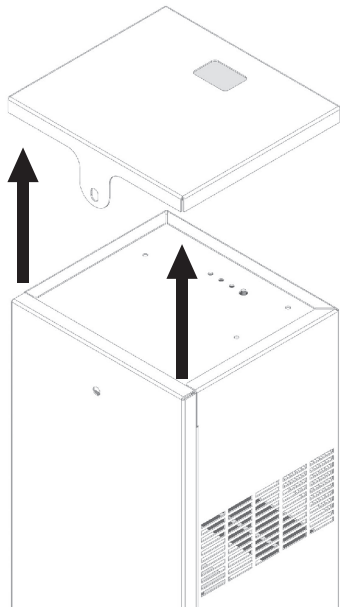


**2** Unfasten the top cover screw.

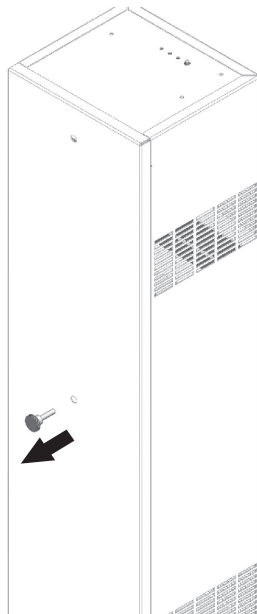


2

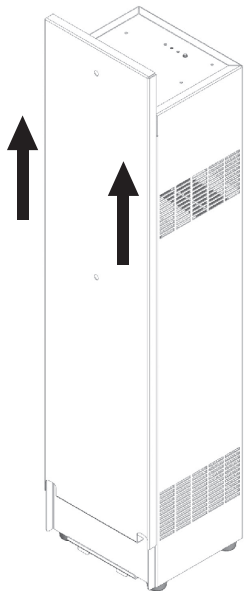
**3** Open the top cover.



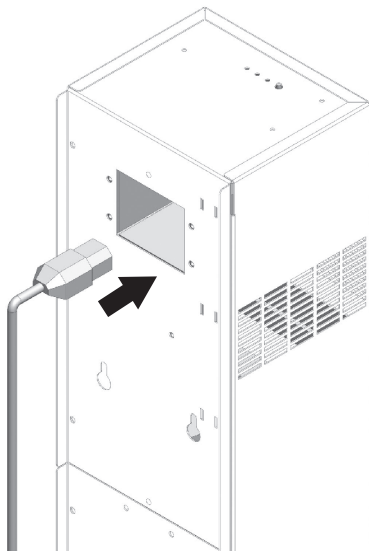
**4** Remove the back cover screw.



- 5** Remove the back cover by pushing it up.

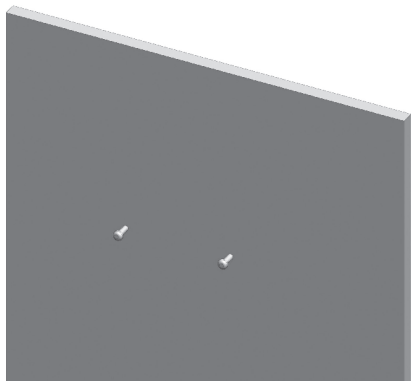


- 6** Insert the power cord to the unit's plug point.

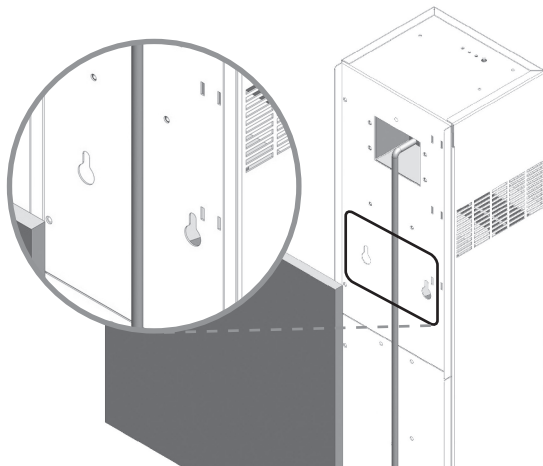


## For Installation On the Wall

**1** Fix 2 pieces 4mm diameter self-taping screws onto the wall with 79mm apart.

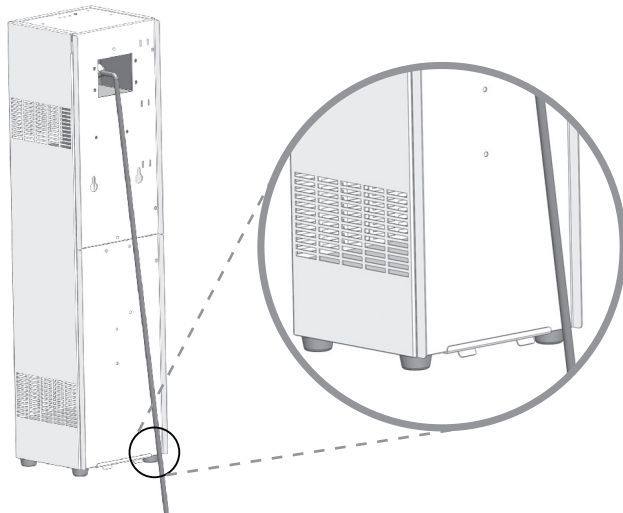


**2** Hook the unit to the self-taping screws on the wall, plug in and power up.

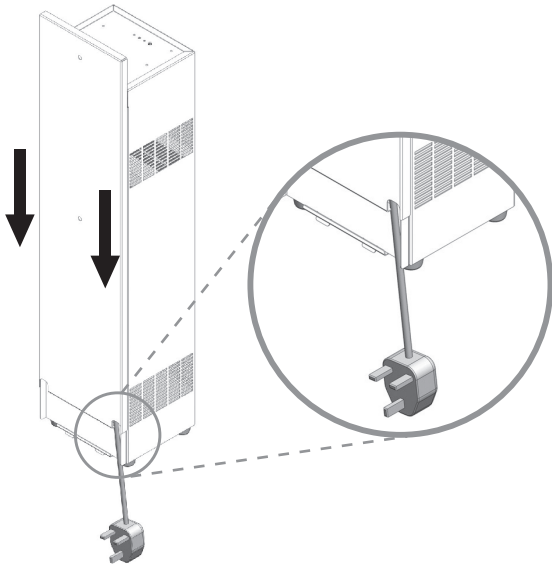


## For Standalone unit on the floor

- 1** After Step 6, align the power cord cable with the edge as circled below.

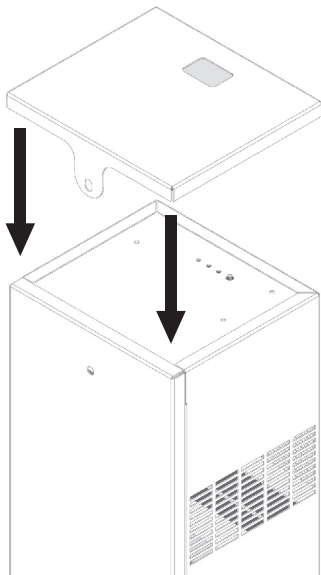


- 2** Slot in the back cover, align the power cable to enable the cable to exit from the slot of back casing.

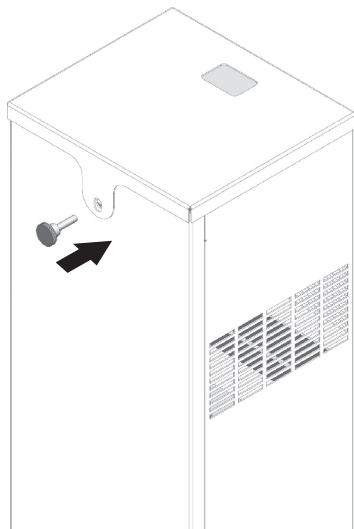




**4** Close the top cover.

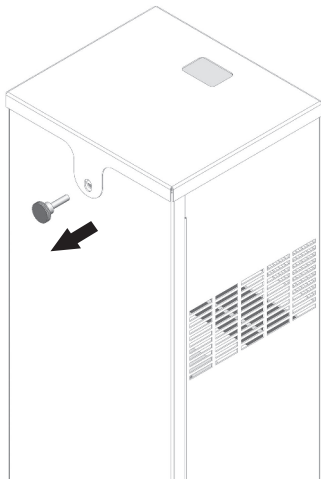


**5** Fasten top cover screw.  
Plug in to the electrical outlet and  
power it up.

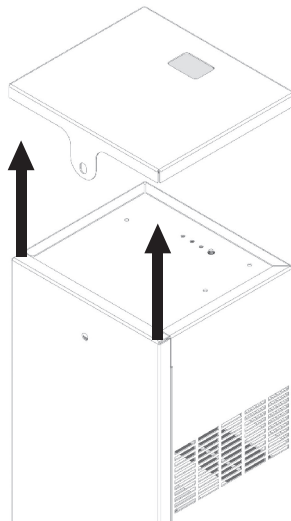


## To Select Various Modes

**1** Unfasten the top cover screw.

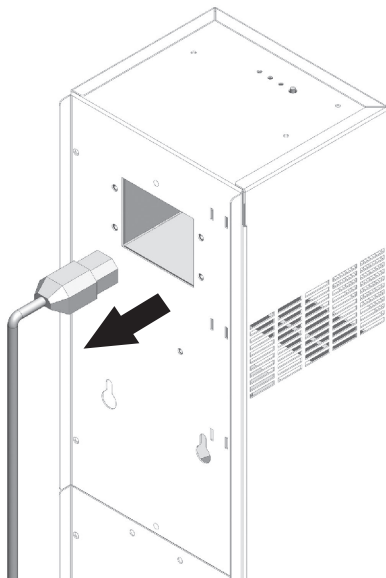


**2** Open the top cover.

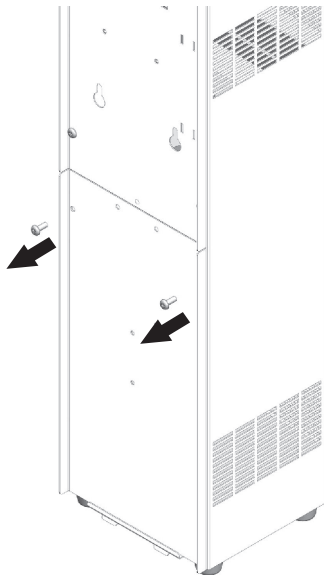


## To Service/Clean the unit's module

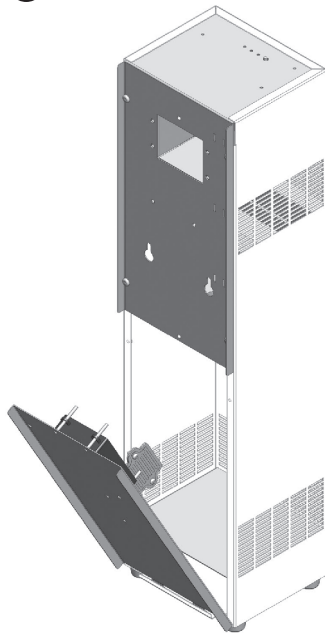
- 1** Repeat Step 1-5 (*page 1-3*)
- 2** Remove the power plug.



- 3** Remove the 2 screws at the bottom back plate.



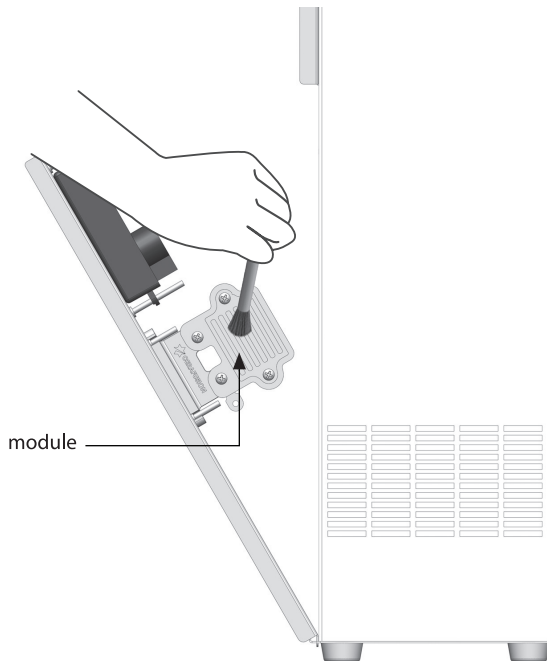
- 4** Tilt the bottom back plate.



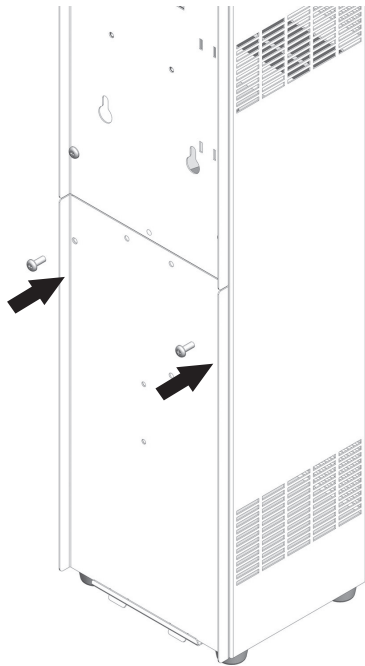
**Brush the module by using a clean tooth brush to clean the surface from dirt.**

**If the module is very dirty, greasy or sticky, it is recommended to use Autosol to clean it.**

**Then, use a damp cloth to clean the residual and wipe dry before installing back.**

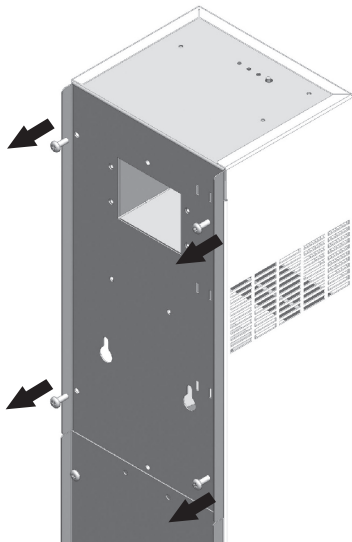


- 6** Fasten the screws of the bottom back plate. Insert the power cable, back casing and plug in back to power plug.

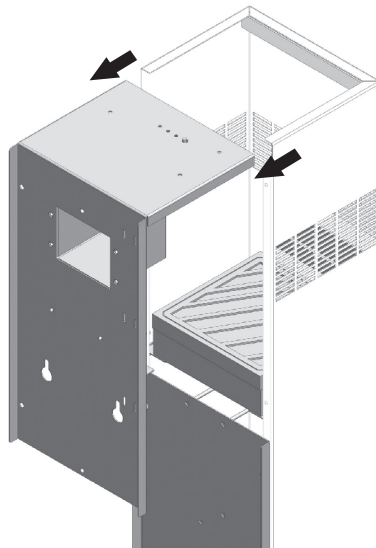


## To Service / Clean the Unit's Filter

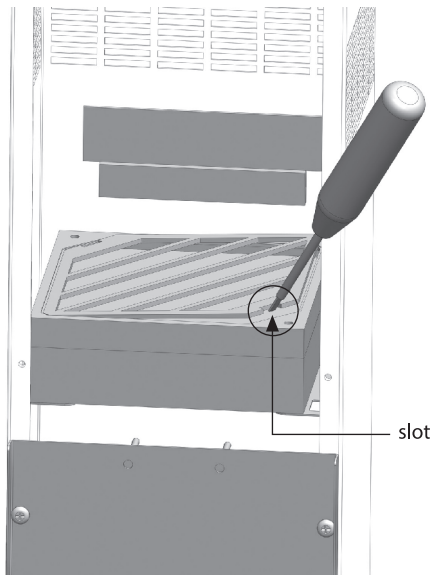
**1** Remove 4 screws at the back plate.



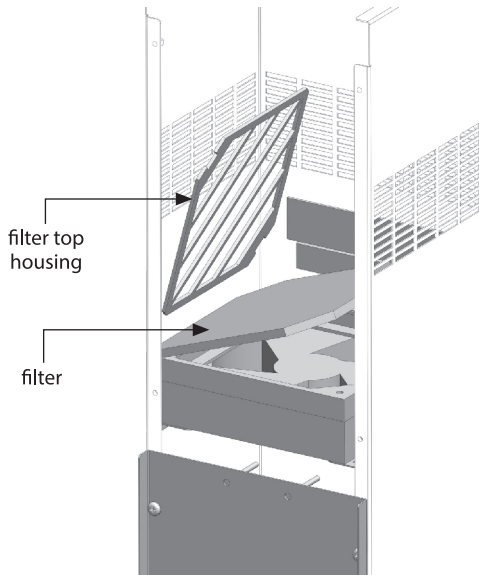
**2** Pull out the top part of back plate.



- 3** Remove the filter's top housing using flat screw driver at the slot provided.

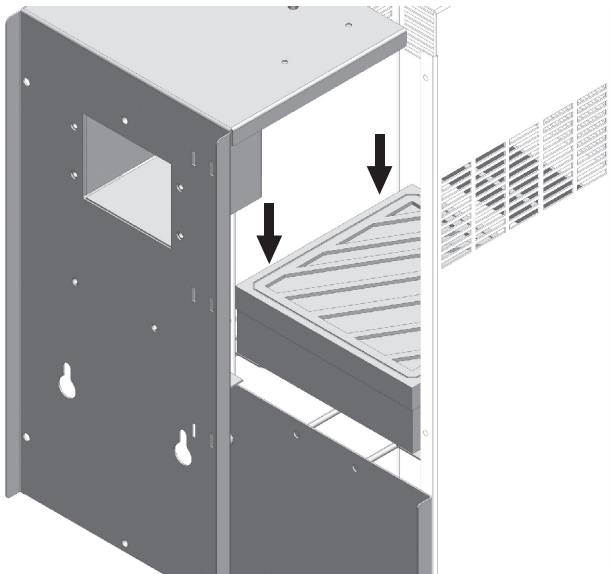


- 4** Take out the filter and wash. Dry it after wash.





Put the filter back and reinstall the filter's top housing.



- 6** Insert the top part of back plate to the main housing.

